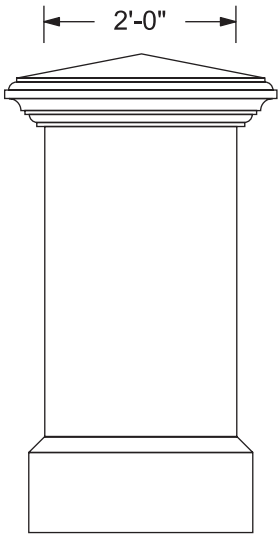
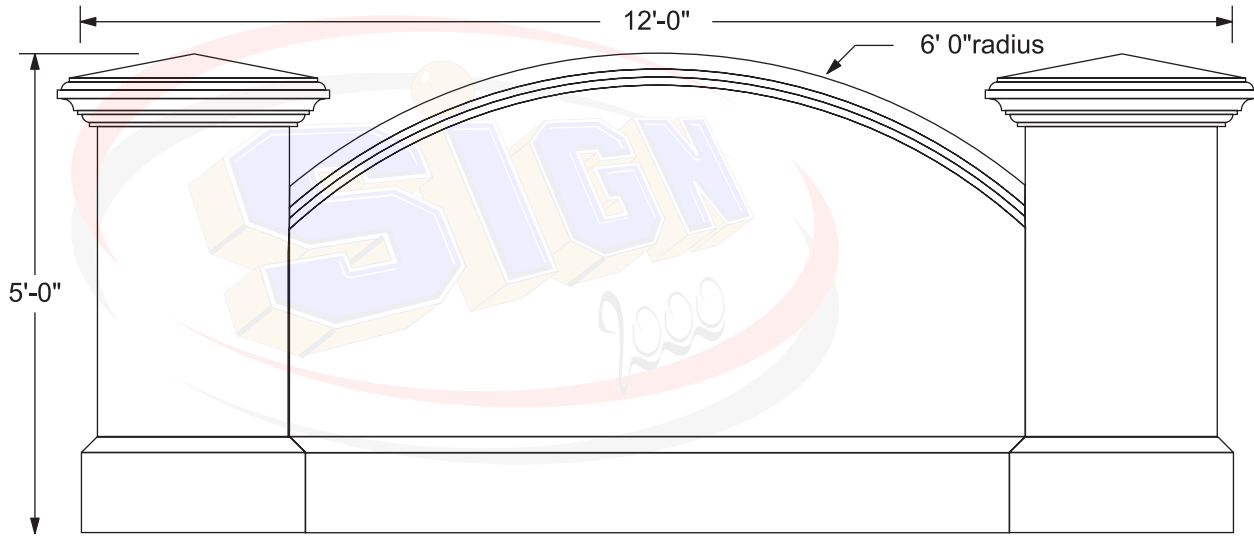


End View



Front and Back View



SIGNS OF 2000

10 Butler St., Clifton, NJ 07011
Tel: 973-253-1333
Fax: 973-253-1953

sales@signof2000.com
www.signof2000.com

Company:
Street:
City:
State/Zip:
Country:
Phone:
Fax:
Description:
Comment:

Job No:
Contact Name:
Order Taken From:
Order Date:
Terms:
Delivery Date:
Shipping:

P.O. Number:
Drawing Name:

Price: \$.....