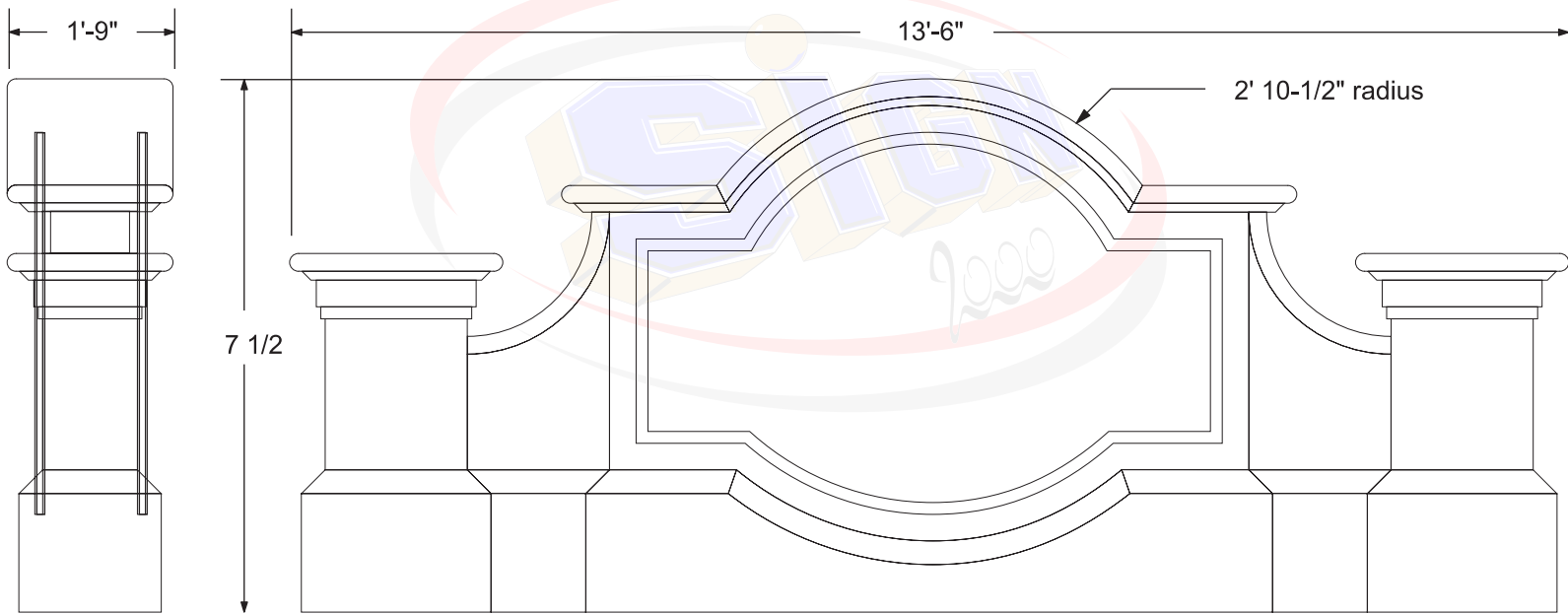


End View

Front and Back View



**SIGNS OF 2000**  
10 Butler St., Clifton, NJ 07011  
Tel: 973-253-1333  
Fax: 973-253-1953  
sales@signof2000.com  
www.signof2000.com

Company:  
Street:  
City:  
State/Zip:  
Country:  
Phone:  
Fax:  
Description:  
Comment:

Job No:  
Contact Name:  
Order Taken From:  
Order Date:  
Terms:  
Delivery Date:  
Shipping:

P.O. Number:  
Drawing Name:  
Price: \$.....